

# Cold Shot Chillers

"ECONOMICALLY PRICED DEPENDABILITY"



---

## TECHNICAL SPECIFICATION

---

**Model: WCWC-18-E**

**Description:**

1 ½ -Ton water-cooled liquid chiller system, to provide approximately 18,000 Btu/hr of cooling capacity with a leaving chilled fluid temperature of 50°F and condenser water temperature of 85°F. Suitable for indoor use.

<b>CAPACITY</b> (±5% OF 50°F LCWT WITH 85° F CONDENSER WATER)	<b>1 1/2 TON</b> <b>18,000 BTU /HR</b>
<b>MODEL</b>	WCWC-18-E
<b>COMPRESSOR</b>	1 1/2 HP HERMETIC SCROLL
<b>EVAPORATOR TYPE</b>	STAINLESS STEEL / COPPER BRAZED PLATE
<b>FLUID CONNECTIONS</b>	3/4" NPT MALE
<b>CONDENSER TYPE</b>	STAINLESS STEEL / COPPER BRAZED PLATE
<b>CONDENSER CONNECTIONS</b>	3/4" NPT MALE
<b>VOLTAGE / PHASE / FREQ</b>	208 – 230 V / 1Ø / 60Hz
<b>MINIMUM CIRCUIT AMPS</b>	54
<b>DIMENSIONS</b>	30" L x 34" W x 45" H
<b>APPROX. WEIGHT</b>	350 LBS
<b>PUMP HP</b>	1.0
<b>PUMP OUTPUT</b>	30 GPM @ 30 PSI
<b>TANK SIZE</b>	25 GALLON
<b>TANK CONSTRUCTION</b>	304 SS

Note: All specifications subject to change without notice.

**Controls:**

Electronic temperature controller with constant tank temperature LED readout

**Refrigeration Components:**

Efficient scroll compressors, sight glass, moisture indicators, balance port expansion valves, filter drier, pump down valves, stainless steel brazed plate evaporator and condenser, head pressure control with valve.

**Process Fluid Components:**

Stainless Steel centrifugal pump, bronze Y strainer with 20 mesh stainless steel screen, insulated stainless steel reservoir.

**Safety Controls:**

High/low pressure and freeze safeties, internal overloads for compressor, safety fuses for pump, low water flow safety with manual reset.

**Construction:**

Welded steel powder coated frame and cabinet.

**Warranty:**

One year parts / five year compressor.

---

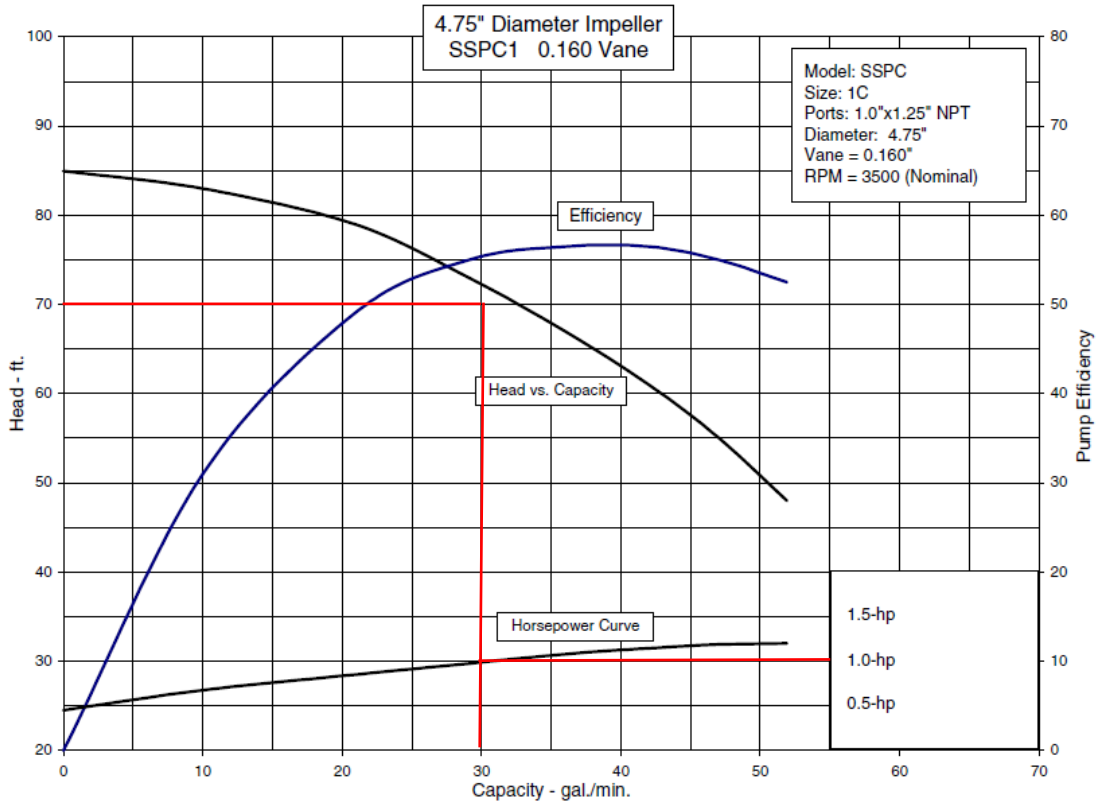
Marrone & Co., Inc.

2730 Maximilian Dr., Houston, Texas 77032 • Phone (800) 473-9178, (281) 227-8400  
Fax (800) 473- 9175, (281) 227-8404 • www.waterchillers.com

# PUTE-000-001-2-1

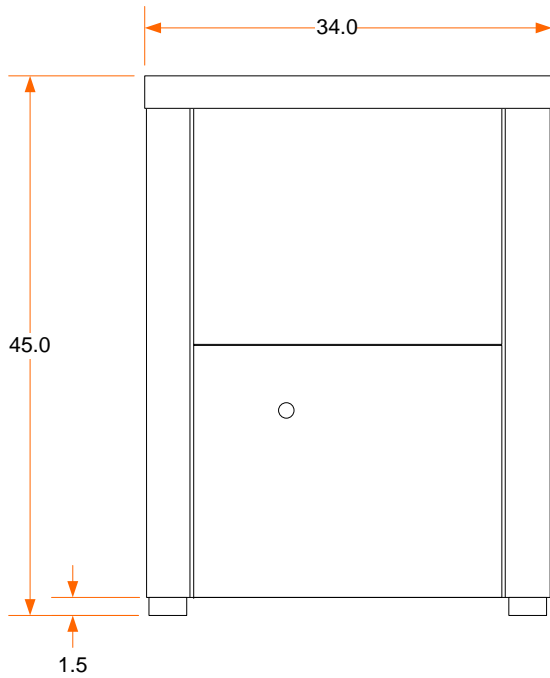
## Performance Curve and Data Sheet

1-Hp (single phase) Motor TEFC / Pump with 4.75" Impeller/0.160 Vane (30gpm@30psi), with SiC/SiC/Buna Mechanical Seal

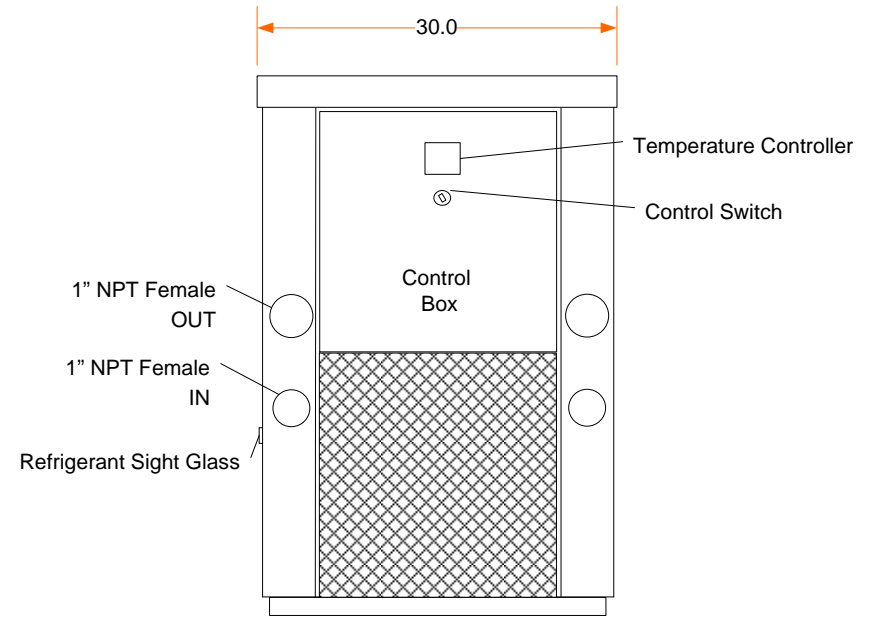


Clean water based performance at 60 deg. F.

3/01/01



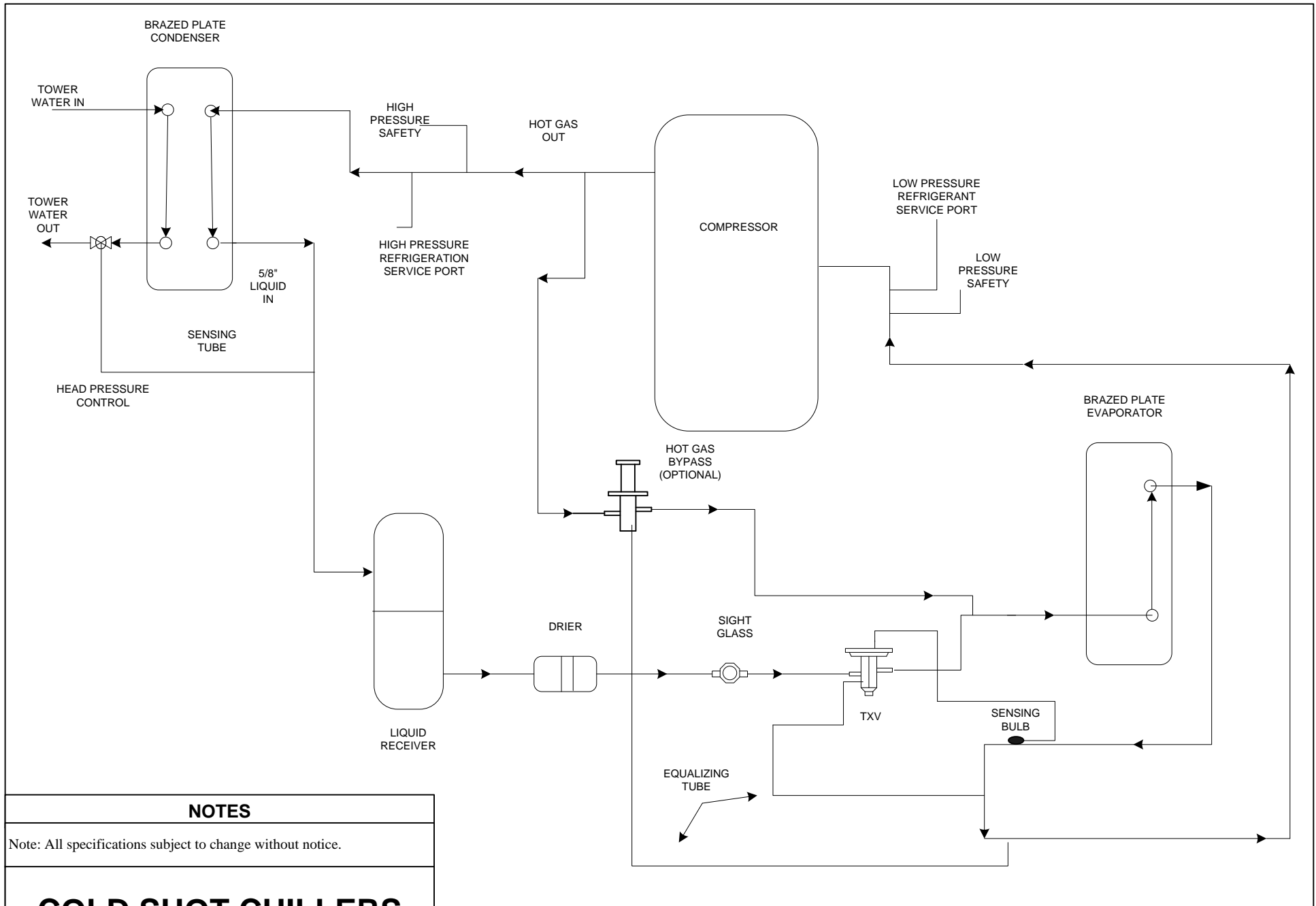
LEFT SIDE



FRONT

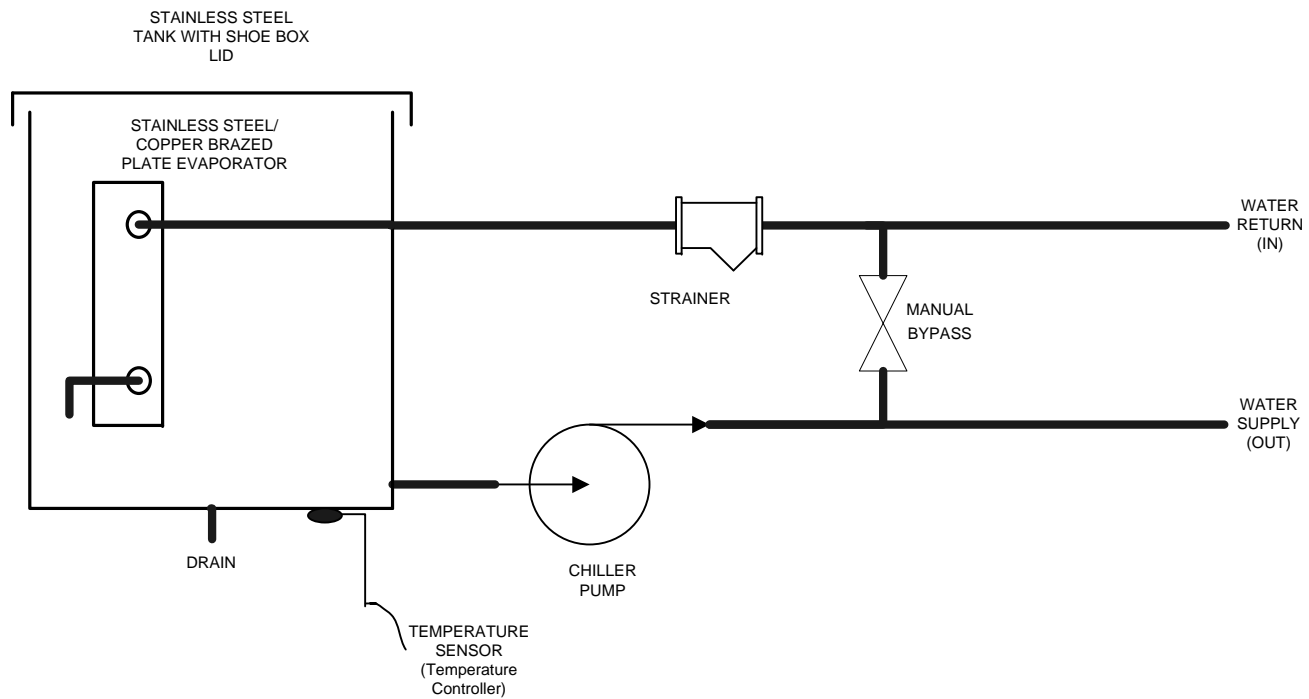
<b>COLD SHOT CHILLERS</b>		SIZE	FSCM NO	DWG NO	REV
		A		<b>INSTALLATION DRAWING</b> <b>WCWC-24-E (TYPICAL)</b>	1
DRAWN	ENGINEERING	SCALE	1/16 : 1	DWG-INS_WCWC-24-E_(0611).vsd	SHEET 1
ISSUED	06/2011				

Note: All specifications subject to change without notice.  
Shown with casters (optional).



NOTES	
Note: All specifications subject to change without notice.	
COLD SHOT CHILLERS	
DRAWN	ENGINEERING
ISSUED	05/2011

SIZE	FSCM NO	DWG NO	REV
A		<b>REFRIGERATION CIRCUIT</b> <b>Water-Cooled Water Chiller - TYPICAL</b>	1
SCALE	NTS	DWG-REF_RefrigerationCircuit-WCWC- Typical_0511.vsd	SHEET 1



# COLD SHOT CHILLERS

SIZE	FSCM NO	DWG NO	REV
A		<b>CHILL WATER CIRCUIT – TYPICAL E - “Portable”</b>	1
ISSUED	SCALE	DWG-CHW_FlowDesigns-E_(0511).vsd	SHEET
04/2011	NA		1

DRAWN ENGINEERING

ISSUED 04/2011