

Cold Shot Chillers

"ECONOMICALLY PRICED DEPENDABILITY"



TECHNICAL SPECIFICATION

Model: ACWC-600-G-DP¹-__²-__³-__⁴

Description:

Four stage portable air-cooled water chiller system. Dual pump model includes one recirculating pump for the chiller circuit and a second pump dedicated for the process circuit. Process pump indicated on table is typical, with options available for different capacity. System capacity indicated on table is the approximate BTU/hr based on a leaving fluid temperature of 50°F with an ambient air temperature of 95°F.

CAPACITY		600,000 BTU/HR					
±5% AT 50° LCWT / 95°F AMBIENT							
COMPRESSORS / REFRIGERANT		(4) ROTARY SCROLLS / PURON R-410A					
CONDENSER FANS / AIRFLOW		3 / 30,500 CFM					
CONDENSER COILS TYPE		MICROCHANNEL HEAT EXCHANGER					
EVAPORATOR TYPE		STAINLESS STEEL / COPPER BRAZED PLATE					
FLUID CONNECTIONS		3" 150# FLANGE (IN/OUT)					
ELECTRICAL:	V - Ø - HZ	COMP RLA / LRA (ea.)		FAN FLA (ea.)	(No*) PUMP FLA		MCA
- 5	230 - 3 - 60	A1/A2	51.3	300	6.6	(1) 17.5	(2) 17.5
		B1/B2	51.3	300			
- 6	460 - 3 - 60	A1/A2	23.1	150	3.3	(1) 8.7	(2) 8.7
		B1/B2	23.1	150			
CHILLER PUMP HP / OUTPUT (1)		7.5 HP / 225 GPM @ 35 PSI					
PROCESS PUMP HP / OUTPUT (2)		7.5 HP / 225 GPM @ 35 PSI					
TANK SIZE / CONSTRUCTION		625 GALLON / HIGH-DENSITY POLYETHYLENE					
DIMENSIONS (APPROX.)		15' 7" L x 7' 4" W x 6' 7" H					
WEIGHT (APPROX.)		2,900 LBS					

Note: All specifications subject to change without notice. Specify voltage and ambient condition upon ordering.

MCA: Minimum circuit amps per UL 1995

STANDARD FEATURES:

- **Controls:** Electronic temperature controller with scrolling display LED readout.
- **Refrigeration Components:** Scroll compressors, sight glass/moisture indicators, electronic expansion valves, filter driers, pump down valves, fan cycling head pressure controls.
- **Process Fluid Components:** A 40-mesh strainer with blow down valve is standard. Pumps are stainless steel centrifugal. Tanks are insulated with liquid level sight tube and spin on lid. Portable systems may include a bypass flow valve. Flow switch is standard.
- **Safety Controls:** High/low pressure safety, freeze, low water flow, internal overloads, thermal overload circuit breakers and/or safety fuses for compressors, pumps, and fan motors, temperature relief fusible plug on liquid lines of each circuit.
- **Construction:** Galvanized steel frame, powder coated carbon steel cabinet, copper piping.
- **Warranty:** One year parts / five year compressor.

SUITABLE AMBIENT CONDITIONS/FEATURES:

- **IND:** Indoor use only.
- **40:** Suitable for outdoor use with an ambient of 40°F ambient.
- **0:** Suitable for outdoor use to 0°F ambient. Includes low ambient fan speed controls.
- **M20:** Suitable for outdoor use to -20°F ambient. Includes with low ambient fan speed controls.

¹ Flow Design (__=Portable, ST=Stationary, RF=Reverse Flow, EXCH=Extra Heat Exchanger, DP=Dual Pump, DR=Dual Return)

² Leaving Fluid Temperature (__=Standard, LT=Low Temperature-specify lowest temperature in °F)

³ Ambient Temperature Conditions (see above)

⁴ Electrical Power Code (see above)

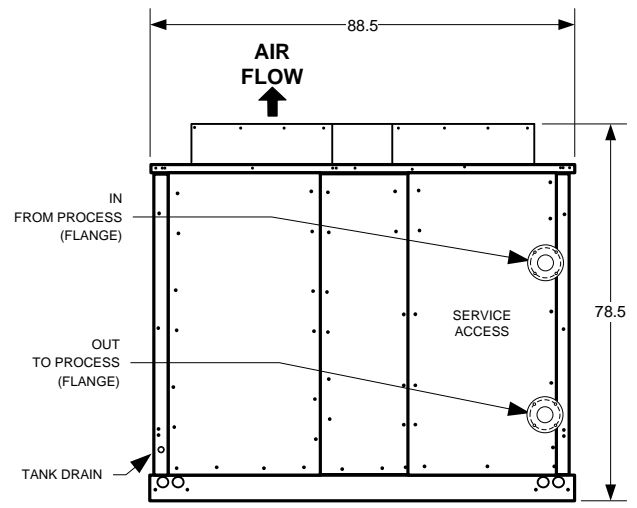
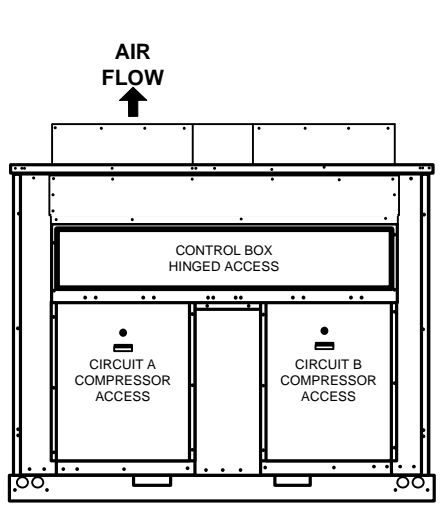
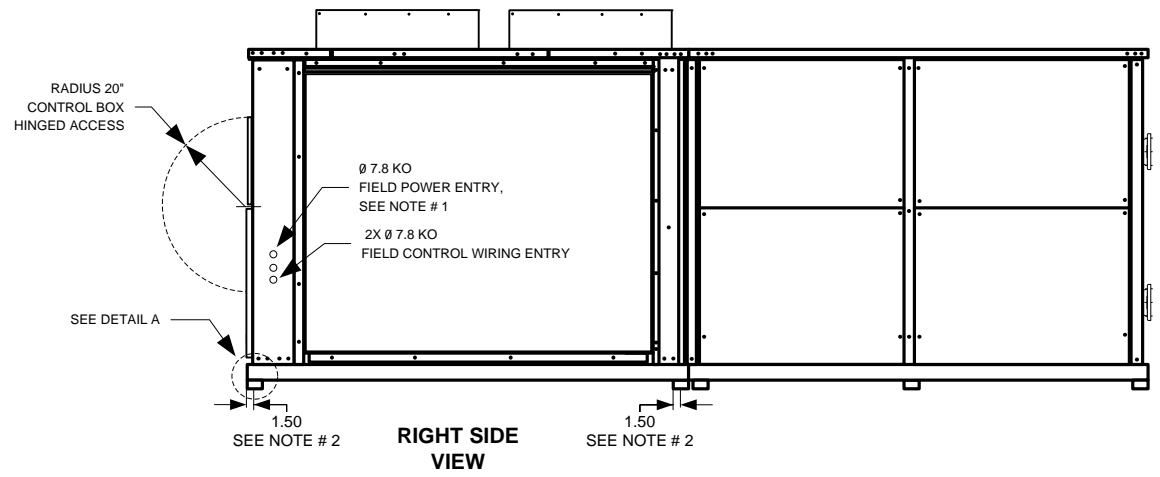
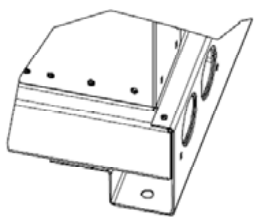
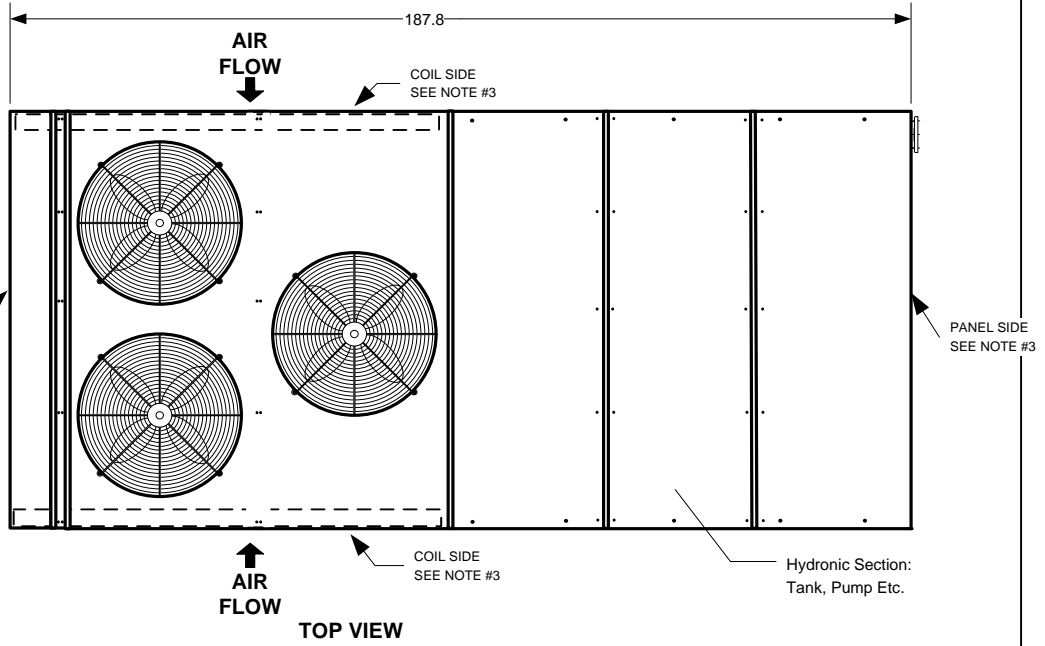
Marrone & Co., Inc.

2730 Maximilian Drive, Houston, Texas 77032 • Phone (800) 473-9178, (281) 227-8400

Fax (800) 473- 9175, (281) 227-8404 • www.waterchillers.com

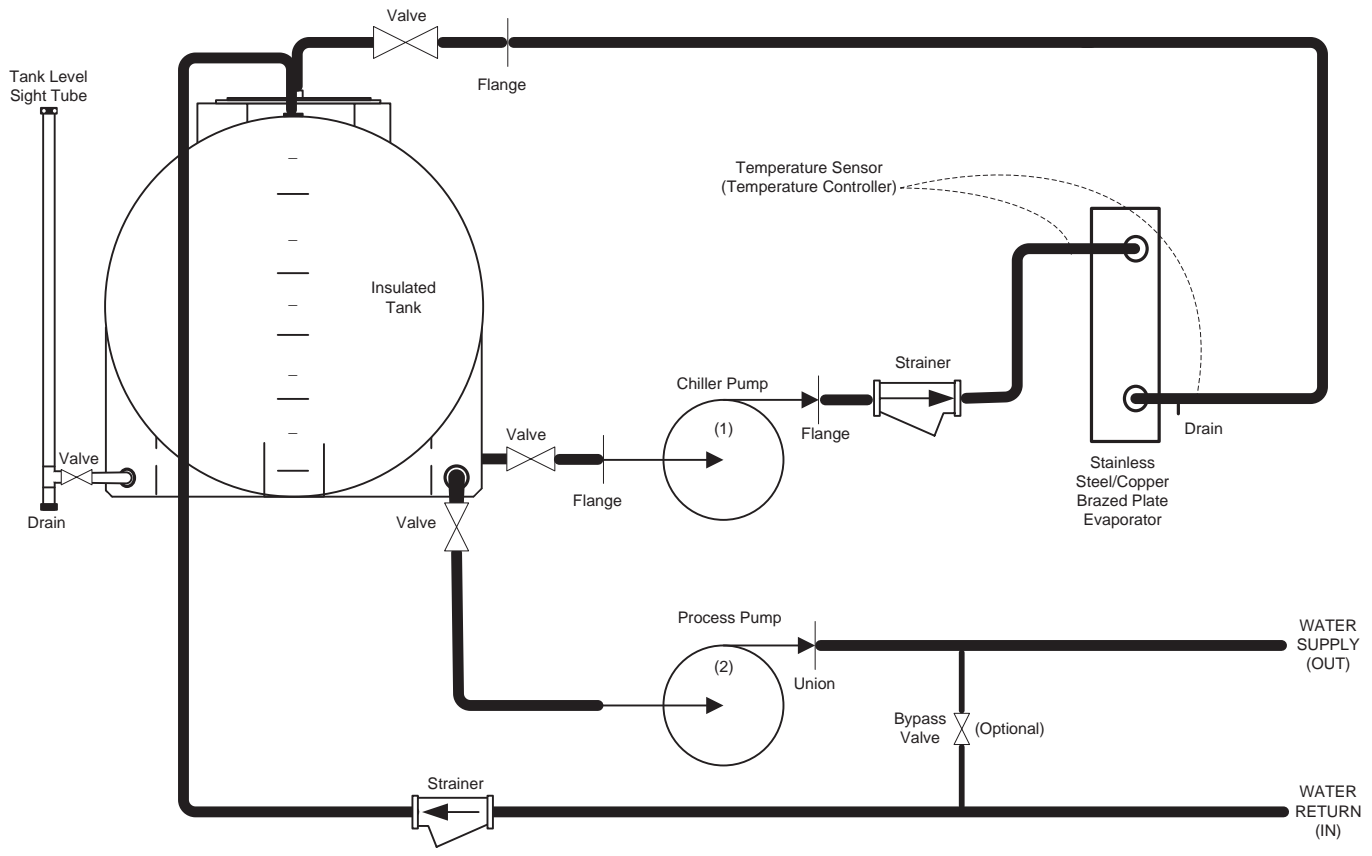
GENERAL NOTES

1. 7/8 PILOT HOLE PROVIDED FOR LOCATING FIELD POWER WIRING
ACTUAL HOLE REQUIRED DEPENDS ON FIELD WIRE SIZING.
2. 7/16 HOLE USED FOR MOUNTING UNIT.
3. UNIT MUST HAVE CLEARANCES AS FOLLOWS:
TOP - DO NOT RESTRICT.
COIL END - 42" FROM SOLID SURFACE.
PANEL SIDE - 48" PER NEC.
4. UNIT CAN BE HANDLED USING THE FORK TRUCK LIFT POCKETS.
5. FLOW SWITCH IS (OPTIONAL) DEPENDING ON SYSTEM DESIGN.
6. TYPICAL TANK INCLUDES A LEVEL SIGHT TUBE, SPIN ON LID,
DRAIN PORT.
7. DO NOT CAP OR OTHERWISE OBSTRUCT THE
LIQUID LINE TEMPERATURE RELIEF.
8. DESIGN AND SPECIFICATIONS ARE SUBJECT TO CHANGE WITHOUT
NOTICE.



COLD SHOT CHILLERS

DRAWN		ENGINEERING	SIZE	A	DIMENSION NOTES	DWG NO		REV
ISSUED		5/19/2017	SCALE	N.T.S.	Dimensions are in inches unless otherwise specified.	INSTALLATION DRAWING ACWC-600- (Typical - Front-Rear-Top-Side)		1
						DWG-INST_600-G---(0517).vsd	SHEET	1



NOTES

- Design and specifications subject to change without notice.
- Layout is not for engineering purposes.
- Flow Switch typical on 50 through 100 ton units.

COLD SHOT CHILLERS

DRAWN ENGINEERING

ISSUED 11/30/2016

SIZE A SCOPE Flow Diagram_G-DP

SCALE NA

DWG NO CHILL WATER CIRCUIT – TYPICAL Large Chiller G-DP “Portable with Flow Switch” REV 1

DWG-CHW_G_G-DP (1116).vsd SHEET 1