



**RUGGED
DEPENDABILITY**

5-Ton Air-Cooled Portable Single Stage Water Chillers



(5 Ton Unit Shown)

FEATURES

- Dependable Copeland Welded Hermetic Scroll Compressors
- Stainless Steel Brazed Plate Evaporators
- External Brass Service Valves
- Large Copper Condensing Coil with Aluminum Fins
- Powder Coated, Expanded Metal Protective Condenser Panels
- Strong Stainless Steel Centrifugal Pumps with Safety Fuses or Thermal Protection
- Oversized Magnetic Contactors
- Powder Coated Steel Frame and Welded Stainless Steel Reservoir

BENEFITS

- Long Life - Maintenance Free
- Compact Efficiency
- Allows for Field Service Without Disassembly
- Easy Maintenance - Improved Efficiency
- Rugged Protection While Allowing for Easy Maintenance and Wash Down
- High Flow - Long Life - Dependable
- Rugged Dependability - Long Life
- Lifetime Warranty

Cold Shot Chillers

"ECONOMICALLY PRICED DEPENDABILITY"



TECHNICAL SPECIFICATION

Model: ACWC-060-Q-__1__2__3__4

Description:

Single stage air-cooled portable water chiller system. System will provide approximately 60,000 Btu/hr of cooling capacity with a leaving fluid temperature of 50°F and an ambient air temperature of 95°F.

| CAPACITY | | 60,000 BTU /HR | | | | |
|--------------------------------|--------------|---|---------|----------|-----|------|
| ±5% AT 50° LCWT / 95°F AMBIENT | | | | | | |
| COMPRESSOR / REFRIGERANT | | HERMETIC SCROLL / R410A | | | | |
| CONDENSER FANS / AIRFLOW | | 1 / 3500 CFM | | | | |
| CONDENSER COILS TYPE | | COPPER TUBE / ALUMINUM FIN | | | | |
| EVAPORATOR TYPE | | STAINLESS STEEL / COPPER BRAZED | | | | |
| FLUID CONNECTIONS | | 1" MNPT (IN/OUT) | | | | |
| ELECTRICAL: | V - Ø - HZ | COMP RLA / LRA | FAN FLA | PUMP FLA | MCA | |
| -1 | 575 - 3 - 60 | 5.7 | 38.9 | 0.5 | 1.3 | 8.9 |
| -2 | 230 - 1 - 60 | 26.4 | 134 | 1.2 | 6.6 | 40.8 |
| -5 | 230 - 3 - 60 | 16 | 110 | 1.3 | 6.6 | 27.9 |
| -6 | 460 - 3 - 60 | 7.8 | 52 | 0.6 | 1.7 | 12.0 |
| PUMP HP / OUTPUT | | 1.0 HP / 30 GPM @ 30 PSI | | | | |
| TANK SIZE / CONSTRUCTION | | 25 GALLON / 304 STAINLESS STEEL TANK WITH LID | | | | |
| DIMENSIONS | | 50 ½" L x 38 ½" W x 57" H | | | | |
| WEIGHT (APPROX.) | | 500 LBS | | | | |

Note: All specifications subject to change without notice. Specify Voltage and Ambient Condition upon ordering. 1ph Pump Motor used on -2 & -5 units. MCA: Minimum circuit amps per UL 1995.

STANDARD FEATURES:

- **Controls:** Electronic programmed temperature controller with constant (set point & process) temperature readout.
- **Refrigeration Components:** Efficient scroll compressors, sight glass/moisture indicators, balance port expansion valves, filter drier, pump down valves, fan cycling head pressure controls.
- **Process Fluid Components:** Bronze "Y" strainer with 20 mesh stainless steel screen. Pumps are stainless steel centrifugal. Tanks are insulated with shoe box lid, fill port, and level sight glass. Portable systems will include a bypass flow valve.
- **Safety Controls:** High/low pressure refrigerant pressure, freeze, low water flow, overloads for compressor and fan motors, safety fuses or overloads for pump.
- **Construction:** Welded steel powder coated frame and full metal cabinet, copper piping connections.
- **Warranty:** One year parts / five year compressor.

SUITABLE AMBIENT CONDITIONS/FEATURES:

- **IND:** Indoor use only. Casters, optional.
- **40:** Suitable for outdoor use with an ambient of 40°F ambient. Casters, optional.
- **0:** Suitable for outdoor use to 0°F ambient. Includes low ambient fan speed controls with (LT) models. Casters, optional.
- **M20:** Suitable for outdoor use to -20°F ambient. Includes with low ambient fan speed controls with hot gas bypass. Casters, optional.

¹ Flow Design (__=Portable, ST=Stationary, RF=Reverse Flow, EXCH=Extra Heat Exchanger, DP=Dual Pump, DR=Dual Return)

² Leaving Fluid Temperature (__=Standard, LT=Low Temperature-specify lowest temperature in °F)

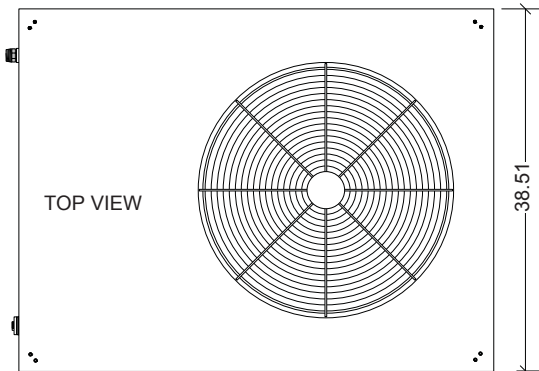
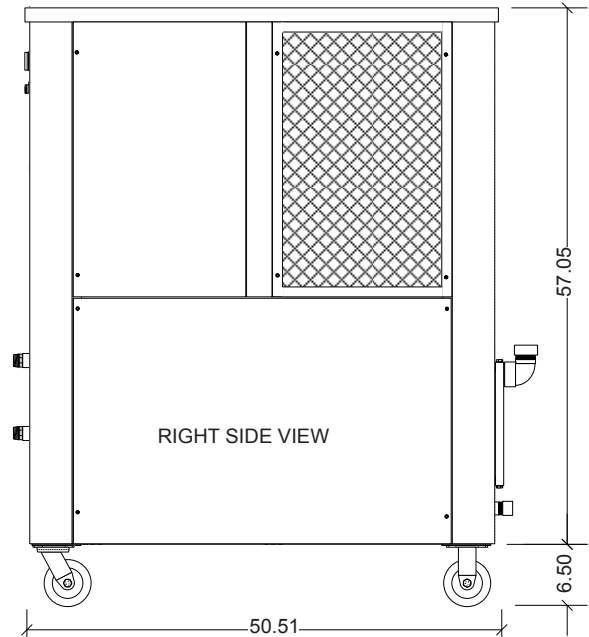
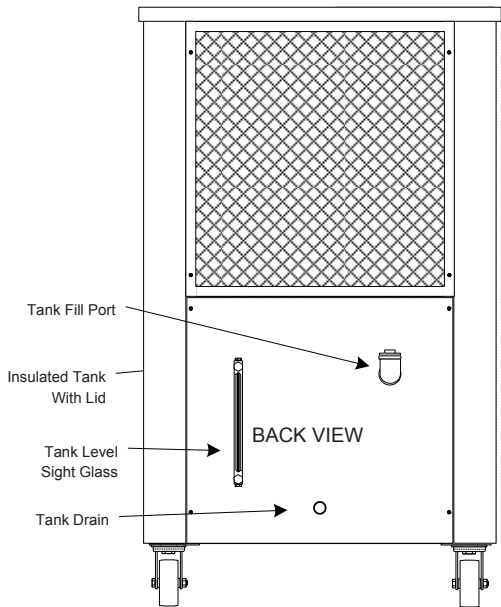
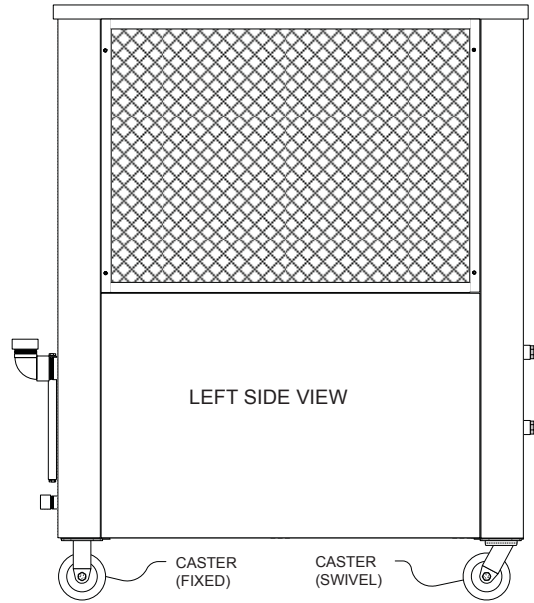
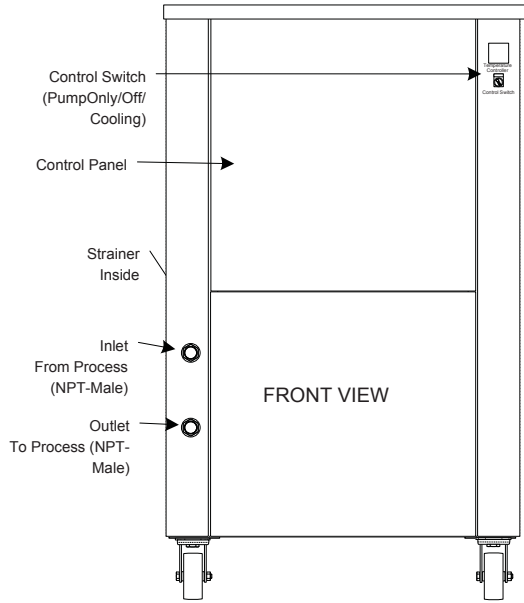
³ Ambient Temperature Conditions (see above)

⁴ Electrical Power Code (see above)

Marrone & Co., Inc.

2730 Maximilian Drive, Houston, Texas 77032 • Phone (800) 473-9178, (281) 227-8400

Fax (800) 473-9175, (281) 227-8404 • www.waterchillers.com



GENERAL NOTES

- Optional Flow Switch (Included with Low Ambient Kit Options).
- Casters are included with indoor units upon request. Optional on outdoor units.
- Specifications subject to change without notice.
- Split units not shipped with refrigerant. Charged with 15# Nitrogen charge. Nitrogen must be evacuated and system properly charged with refrigerant while following instructions in manual.

COLD SHOT CHILLERS

| | | | | | | | | | | |
|--------|-----------|-------------|-------|--------|-----------------|---|--------|---|--|---|
| DRAWN | | ENGINEERING | SIZE | A | DIMENSION NOTES | Dimensions are approximate. Typically, +/- 1/4" | DWG NO | INSTALLATION DRAWING ACWC-060-Q- (Typical) | REV | 1 |
| ISSUED | 1/25/2016 | | SCALE | 0.0625 | | DWG-INST_ACWC-60-Q_(0815).vsd | | SHEET | 1 / ACWC-060-Q-_(EntireFullPanel)(All) | |