

Cold Shot Chillers®



**RUGGED
DEPENDABILITY**

3-Ton Air-Cooled Portable Single Stage Water Chillers



(3 Ton Unit Shown)

FEATURES

- Dependable Copeland Welded Hermetic Scroll Compressors
- Stainless Steel Brazed Plate Evaporators
- External Brass Service Valves
- Large Copper Condensing Coil with Aluminum Fins
- Powder Coated, Expanded Metal Protective Condenser Panels
- Strong Stainless Steel Centrifugal Pumps with Safety Fuses or Thermal Protection
- Oversized Magnetic Contactors
- Powder Coated Steel Frame and Welded Stainless Steel Reservoir

BENEFITS

- Long Life - Maintenance Free
- Compact Efficiency
- Allows for Field Service Without Disassembly
- Easy Maintenance - Improved Efficiency
- Rugged Protection While Allowing for Easy Maintenance and Wash Down
- High Flow - Long Life - Dependable
- Rugged Dependability - Long Life
- Lifetime Warranty

Cold Shot Chillers

"ECONOMICALLY PRICED DEPENDABILITY"



TECHNICAL SPECIFICATION

Model: ACWC-036-Q-__1__2__3__4

Description:

Single stage air-cooled portable water chiller system. System will provide approximately 36,000 Btu/hr of cooling capacity with a leaving fluid temperature of 50°F and an ambient air temperature of 95°F.

CAPACITY ±5% AT 50° LCWT / 95°F AMBIENT		36,000 BTU /HR				
COMPRESSOR / REFRIGERANT		HERMETIC SCROLL / R410A				
CONDENSER FANS / AIRFLOW		1 / 2300 CFM				
CONDENSER COILS TYPE		COPPER TUBE / ALUMINUM FIN				
EVAPORATOR TYPE		STAINLESS STEEL / COPPER BRAZED				
FLUID CONNECTIONS		1" MNPT (IN/OUT)				
ELECTRICAL:	V - Ø - HZ	COMP RLA / LRA	FAN FLA	PUMP FLA	MCA	
- 2	230 - 1 - 60	15.4	83.9	1.3	6.6	27.1
- 5	230 - 3 - 60	10.4	73	1.3	6.6	20.9
- 6	460 - 3 - 60	5.8	38	0.5	1.7	9.4
PUMP HP / OUTPUT		1.0 HP / 30 GPM @ 30 PSI				
TANK SIZE / CONSTRUCTION		25 GALLON / 304 STAINLESS STEEL TANK WITH LID				
DIMENSIONS		42" L x 32 1/2" W x 53 1/2" H				
WEIGHT (APPROX.)		420 LBS				

Note: All specifications subject to change without notice. Specify Voltage and Ambient Condition upon ordering. 1ph Pump Motor used on -2 & -5 units. MCA: Minimum Circuit Amps per UL 1995

STANDARD FEATURES:

- **Controls:** Electronic programmed temperature controller with constant (set point & process) temperature readout.
- **Refrigeration Components:** Efficient scroll compressors, sight glass/moisture indicators, balance port expansion valves, filter drier, pump down valves, fan cycling head pressure controls.
- **Process Fluid Components:** Bronze "Y" strainer with 20 mesh stainless steel screen. Pumps are stainless steel centrifugal. Tanks are insulated with shoe box lid, fill port, and level sight glass. Portable systems will include a bypass flow valve.
- **Safety Controls:** High/low pressure refrigerant pressure, freeze, low water flow, overloads for compressor and fan motors, safety fuses or overloads for pump.
- **Construction:** Welded steel powder coated frame and full metal cabinet, copper piping connections.
- **Warranty:** One year parts / five year compressor.

SUITABLE AMBIENT CONDITIONS/FEATURES:

- **IND:** Indoor use only. Casters on frame.
- **40:** Suitable for outdoor use with an ambient of 40°F ambient. Casters, optional.
- **0:** Suitable for outdoor use to 0°F ambient. Includes low ambient fan speed controls with (LT) models. Casters, optional.
- **M20:** Suitable for outdoor use to -20°F ambient. Includes with low ambient fan speed controls with hot gas bypass. Internal wind baffles. Casters, optional.

¹ Flow Design (_=Portable, ST=Stationary, RF=Reverse Flow, EXCH=Extra Heat Exchanger, DP=Dual Pump, DR=Dual Return)

² Leaving Fluid Temperature (_=Standard, LT=Low Temperature-specify lowest temperature in °F)

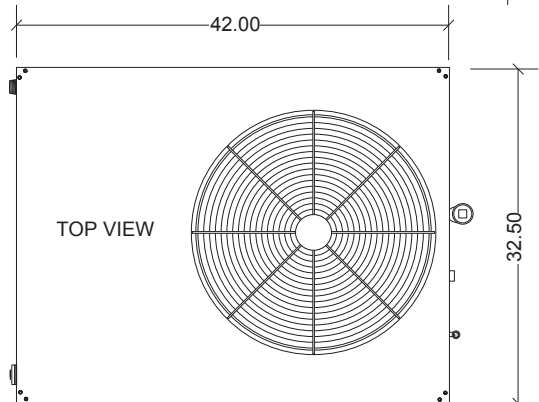
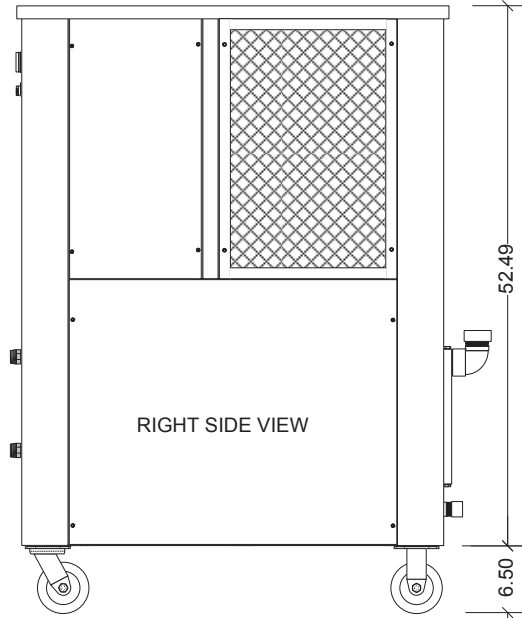
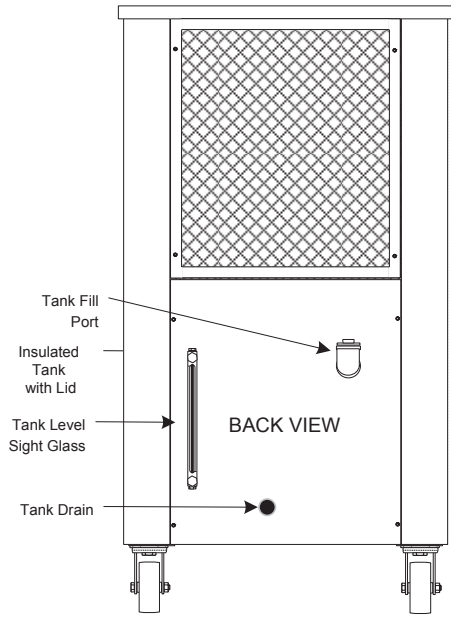
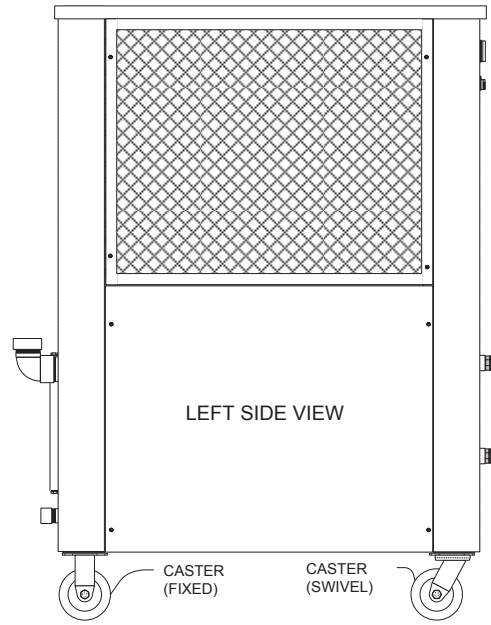
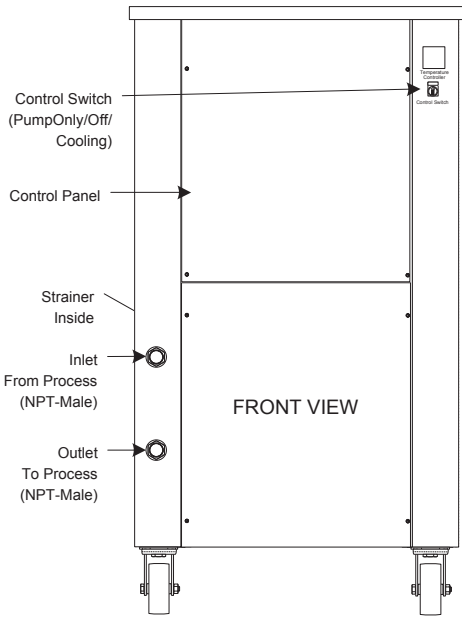
³ Ambient Temperature Conditions (see above)

⁴ Electrical Power Code (see above)

Marrone & Co., Inc.

2730 Maximilian Drive, Houston, Texas 77032 • Phone (800) 473-9178, (281) 227-8400

Fax (800) 473-9175, (281) 227-8404 • www.waterchillers.com



GENERAL NOTES

- Optional Flow Switch (Included with Low Ambient Kit Options).
- Casters are included with indoor units upon request. Optional on outdoor units.
- Specifications subject to change without notice.
- Split units not shipped with refrigerant. Charged with 15# Nitrogen charge. Nitrogen must be evacuated and system properly charged with refrigerant while following instructions in manual.

COLD SHOT CHILLERS

DRAWN	ENGINEERING
REV DATE	25 January 2016

SIZE	DIMENSION NOTES
A	Unless otherwise specified tolerances are +/- 1/8 inch
PRINT DATE	1/25/2016

DWG NO	SCALE
ACWC-036-Q-_(EntireFullPanel)(All)	0.057 in. = 1 in.
DWG-INST_ACWC-036-Q-_(1215).vsd	SHEET 1 / ACWC-036-Q-_(EntireFullPanel)(All)