

# Cold Shot Chillers

"ECONOMICALLY PRICED DEPENDABILITY"



## TECHNICAL SPECIFICATION

Model: ACWC-1200-G-\_\_<sup>1</sup>\_\_<sup>2</sup>\_\_<sup>3</sup>\_\_<sup>4</sup>

### Description:

Six stage portable air-cooled water chiller system. To provide approximately 1200,000 Btu/hr. of cooling capacity with a leaving fluid temperature of 50°F with an ambient air temperature of 95°F.

<b>CAPACITY</b> ±5% AT 50° LCWT / 95°F AMBIENT		<b>1200,000 BTU /HR</b>				
<b>COMPRESSOR / REFRIGERANT</b>		(5) ROTARY SCROLLS / PURON R-410A				
<b>CONDENSER FANS / AIRFLOW</b>		7 / 71,750 CFM				
<b>CONDENSER COILS TYPE</b>		MICROCHANNEL				
<b>EVAPORATOR TYPE</b>		STAINLESS STEEL / COPPER BRAZED				
<b>FLUID CONNECTIONS</b>		4" 150 FLANGE (IN/OUT)				
<b>ELECTRICAL:</b>	<b>V - Ø - HZ</b>	<b>COMP RLA / LRA (ea.)</b>		<b>FAN FLA (ea.)</b>	<b>PUMP FLA</b>	<b>MCA</b>
- 5	230 - 3 - 60	A1	94.2	560	6.6	48.0
		A2	75.0	485		
		B1-B3	75.0	485		
- 6	460 - 3 - 60	A1	41.6	260	3.3	24.0
		A2	32.7	215		
		B1-B3	32.7	215		
<b>PUMP HP / OUTPUT</b>		20 HP / 335 GPM @ 70 PSI				
<b>TANK SIZE / CONSTRUCTION</b>		625 GALLON / HIGH-DENSITY POLYETHYLENE				
<b>DIMENSIONS (APPROX.)</b>		24' L x 7' 4" W x 6' 1" H				
<b>WEIGHT (APPROX.)</b>		5700 LBS				

Note: All specifications subject to change without notice. Specify voltage and ambient condition upon ordering.

MCA: Minimum circuit amps per UL 1995

### STANDARD FEATURES:

- **Controls:** Electronic temperature controller with (set point & process) temperature LED readout.
- **Refrigeration Components:** Scroll compressors, sight glass/moisture indicators, electronic expansion valves, filter drier, pump down valves, fan cycling head pressure controls.
- **Process Fluid Components:** A 40-mesh strainer with blow down valve is standard. Pumps are stainless steel centrifugal. Tanks are insulated with liquid level sight tube and spin on lid. Portable systems will include a bypass flow valve.
- **Safety Controls:** High/low pressure safety, freeze, low water flow, internal overloads, thermal overloads circuit breakers and/or safety fuses for compressors, pumps, and fan motors, temperature relief fusible plug on liquid lines of each circuit.
- **Construction:** Galvanized steel frame, powder coated carbon steel cabinet.
- **Warranty:** One year parts / five year compressor.

### SUITABLE AMBIENT CONDITIONS/FEATURES:

- **IND:** Indoor use only.
- **40:** Suitable for outdoor use with an ambient of 40°F ambient.
- **0:** Suitable for outdoor use to 0°F ambient. Includes low ambient fan speed controls with (LT) models.
- **M20:** Suitable for outdoor use to -20°F ambient. Includes with low ambient fan speed controls.

<sup>1</sup> Flow Design ( \_=Portable, ST=Stationary, RF=Reverse Flow, EXCH=Extra Heat Exchanger, DP=Dual Pump, DR=Dual Return)

<sup>2</sup> Leaving Fluid Temperature ( \_=Standard, LT=Low Temperature-specify lowest temperature in °F)

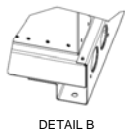
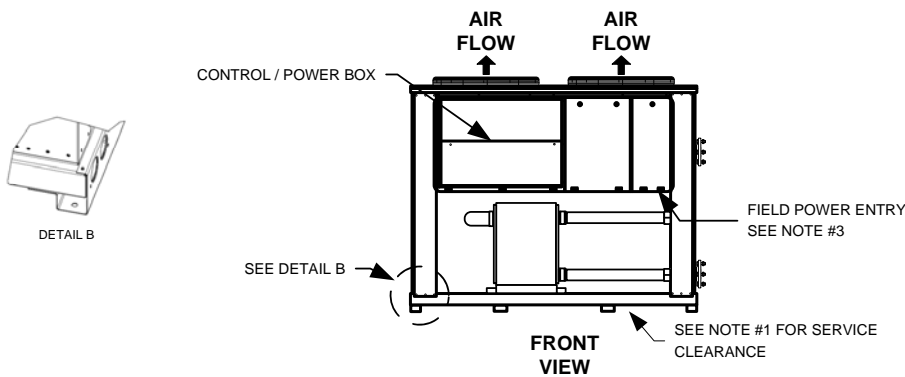
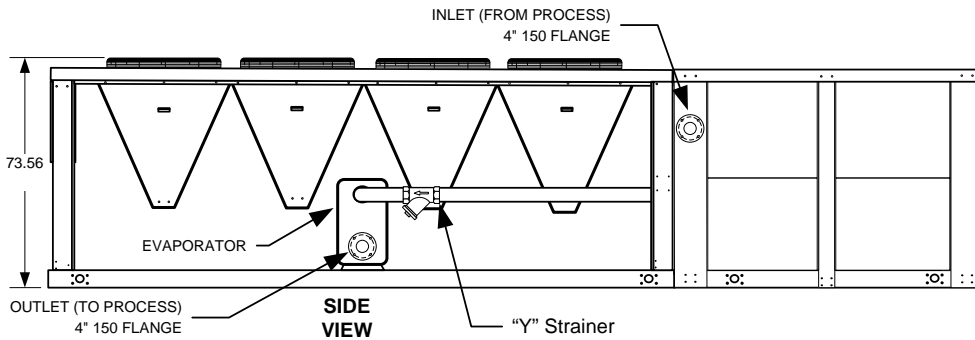
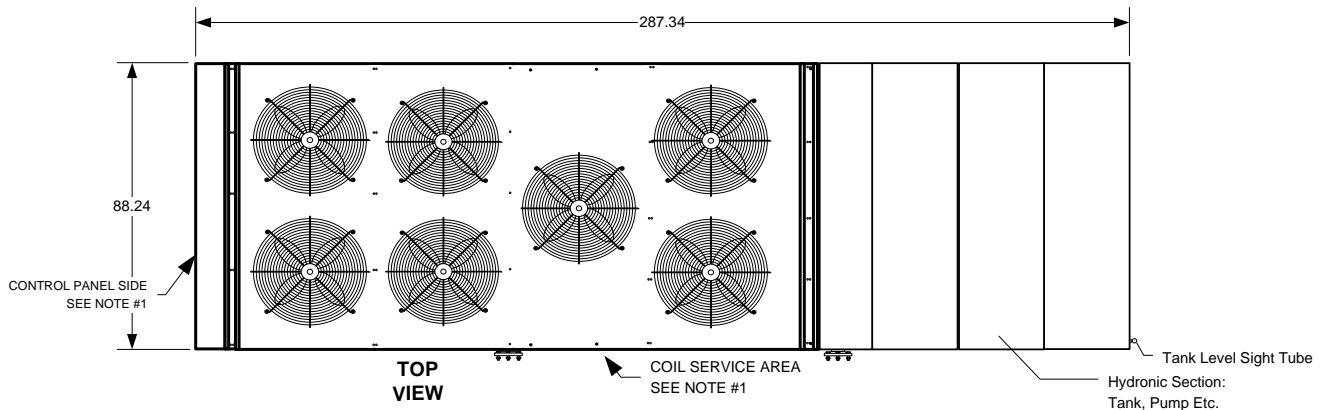
<sup>3</sup> Ambient Temperature Conditions (see above)

<sup>4</sup> Electrical Power Code (see above)

Marrone & Co., Inc.

2730 Maximilian Drive, Houston, Texas 77032 • Phone (800) 473-9178, (281) 227-8400

Fax (800) 473- 9175, (281) 227-8404 • www.waterchillers.com

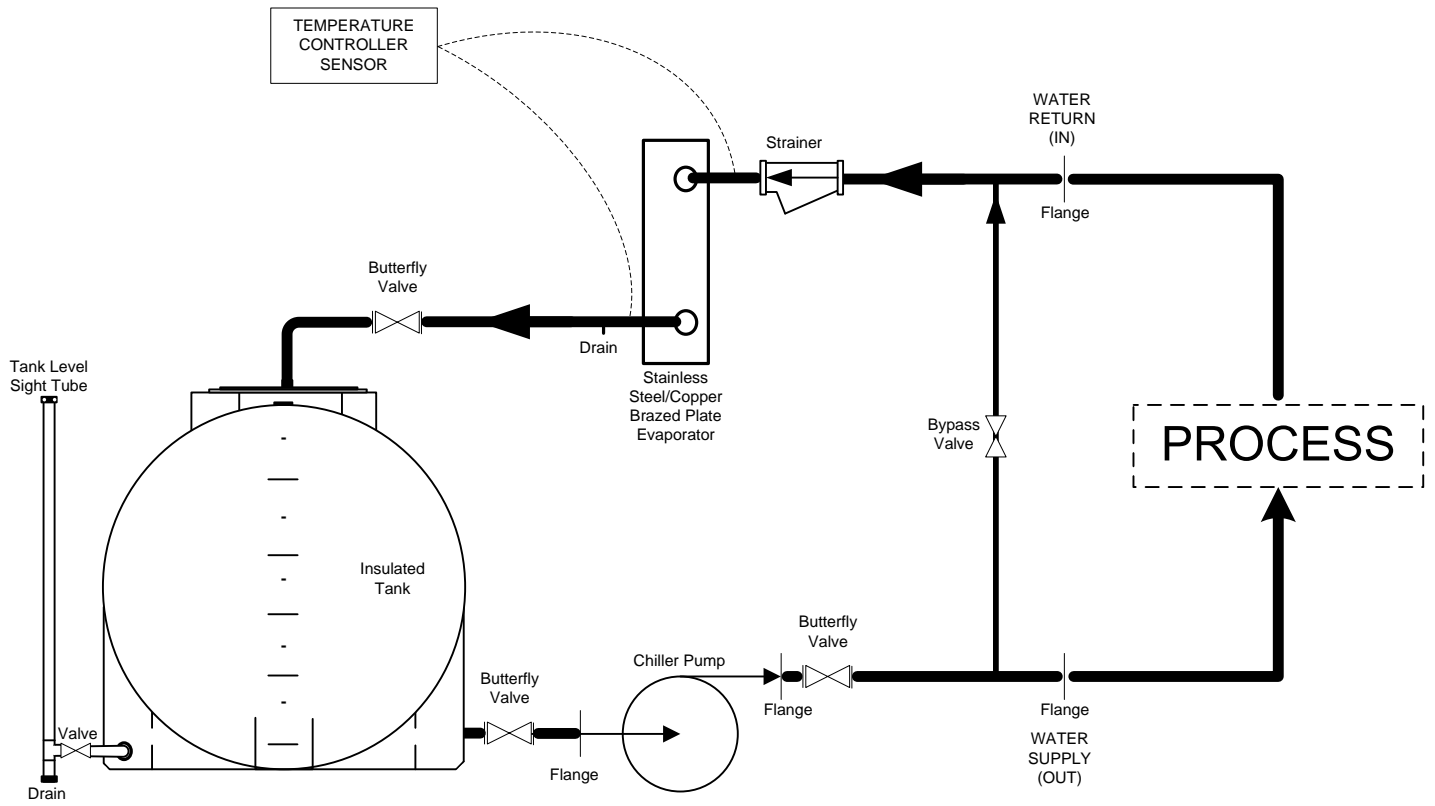


PAGE NOTES

- Unit must have clearances for air flow/service access as follows: (air must be directed away from machine to prevent recirculating air back into machine coil sides.)  
Top — Do not restrict in any way.  
Sides and End — 6 ft from solid surface for airflow.  
Side — 8 ft required for coil service area.
- Mounting holes (17/32" Diameter) may be used to mount unit to concrete pad. They are not recommended for mounting unit to spring isolators. If spring isolators are used, a perimeter support channel between the unit and the isolators is recommended.
- Field Power Supply Connection: two 7/8 pilot holes provided. Actual hole required depend on field wire sizing.
- Relief valves located on suction line, liquid line and filter drier of each circuit are equipped with a 1/4" flare field connection.
- All chilled fluid piping should be insulated.
- Dimensions are in inches +/- 1/4".
- Design and layout may change depending on parts or manufacturing without notice. Notify Cold Shot Chillers for any details needed based on construction.
- Contact Cold Shot Chillers for details or other information.

**COLD SHOT CHILLERS**

DRAWN	ENGINEERING	SIZE	DIMENSION NOTES	DWG NO	REV
ISSUED	11/14/2016	A	Dimensions are in inches unless otherwise specified.	<b>INSTALLATION DRAWING</b> <b>ACWC-1200-G (Typical - Front-Top-Side)</b>	1
		SCALE	N.T.S.	DWG-INST_-1200-G---(1016_RAP) .vsd	SHEET 1



- NOTES
- Design and specifications subject to change without notice.
  - Layout is not for engineering purposes.
  - \*Flow Switch typical on Low Ambient, Low Temperature Units.

<b>COLD SHOT CHILLERS</b>		SIZE	SCOPE	DWG NO	REV
		A	Flow Diagram_G2	<b>CHILL WATER CIRCUIT – TYPICAL Large Chiller G - “Portable with Flow Switch”</b>	1
DRAWN	ENGINEERING	SCALE	NA	DWG-CHW_535Gal_G (1016) .vsd	SHEET 2
ISSUED	10/20/2016				