

Cold Shot Chillers

"ECONOMICALLY PRICED DEPENDABILITY"



TECHNICAL SPECIFICATION

Model: ACWC-1080-G-__¹__²__³__⁴

Description:

Six stage portable air-cooled water chiller system. To provide approximately 1080,000 Btu/hr. of cooling capacity with a leaving fluid temperature of 50°F with an ambient air temperature of 95°F.

CAPACITY ±5% AT 50° LCWT / 95°F AMBIENT		1080,000 BTU /HR					
COMPRESSOR / REFRIGERANT		(6) ROTARY SCROLLS / PURON R-410A					
CONDENSER FANS / AIRFLOW		6 / 61,500 CFM					
CONDENSER COILS TYPE		MICROCHANNEL					
EVAPORATOR TYPE		STAINLESS STEEL / COPPER BRAZED					
FLUID CONNECTIONS		4" 150 FLANGE (IN/OUT)					
ELECTRICAL:	V - Ø - HZ	COMP RLA / LRA (ea.)		FAN FLA (ea.)	PUMP FLA	MCA	
- 5	230 - 3 - 60	A1-A3	55.8	340	6.6	48.0	436.3
		B1-B3	55.8	340			
- 6	460 - 3 - 60	A1-A3	26.9	179	3.3	24.0	211.9
		B1-B3	26.9	179			
PUMP HP / OUTPUT		20 HP / 335 GPM @ 70 PSI					
TANK SIZE / CONSTRUCTION		535 GALLON / HIGH-DENSITY POLYETHYLENE					
DIMENSIONS (APPROX.)		20' 6" L x 7' 4" W x 6' 1" H					
WEIGHT (APPROX.)		4690 LBS					

Note: All specifications subject to change without notice. Specify voltage and ambient condition upon ordering.

MCA: Minimum circuit amps per UL 1995

STANDARD FEATURES:

- **Controls:** Electronic temperature controller with (set point & process) temperature LED readout.
- **Refrigeration Components:** Scroll compressors, sight glass/moisture indicators, electronic expansion valves, filter drier, pump down valves, fan cycling head pressure controls.
- **Process Fluid Components:** A 40-mesh strainer with blow down valve is standard. Pumps are stainless steel centrifugal. Tanks are insulated with liquid level sight tube and spin on lid. Portable systems will include a bypass flow valve.
- **Safety Controls:** High/low pressure safety, freeze, low water flow, internal overloads, thermal overloads circuit breakers and/or safety fuses for compressors, pumps, and fan motors, temperature relief fusible plug on liquid lines of each circuit.
- **Construction:** Galvanized steel frame, powder coated carbon steel cabinet.
- **Warranty:** One year parts / five year compressor.

SUITABLE AMBIENT CONDITIONS/FEATURES:

- **IND:** Indoor use only.
- **40:** Suitable for outdoor use with an ambient of 40°F ambient.
- **0:** Suitable for outdoor use to 0°F ambient. Includes low ambient fan speed controls with (LT) models.
- **M20:** Suitable for outdoor use to -20°F ambient. Includes with low ambient fan speed controls.

¹ Flow Design (_=Portable, ST=Stationary, RF=Reverse Flow, EXCH=Extra Heat Exchanger, DP=Dual Pump, DR=Dual Return)

² Leaving Fluid Temperature (_=Standard, LT=Low Temperature-specify lowest temperature in °F)

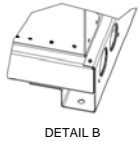
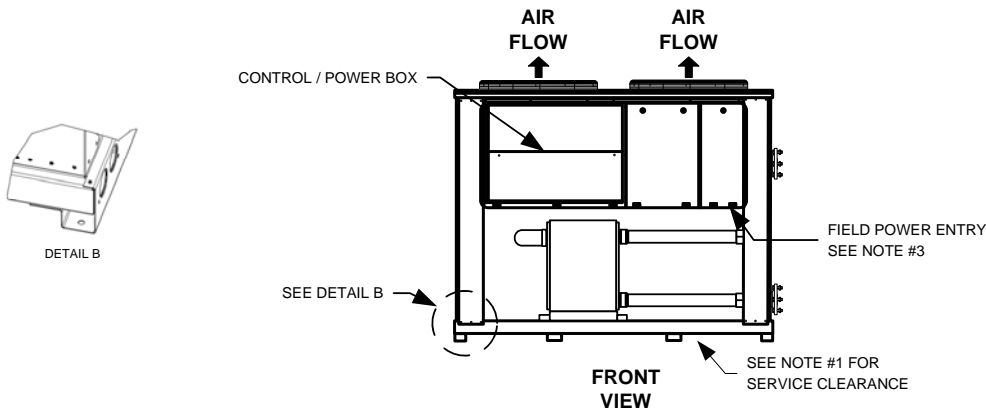
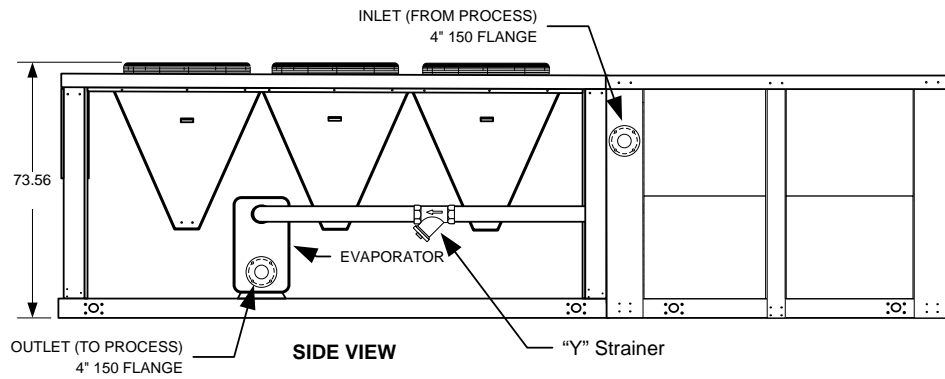
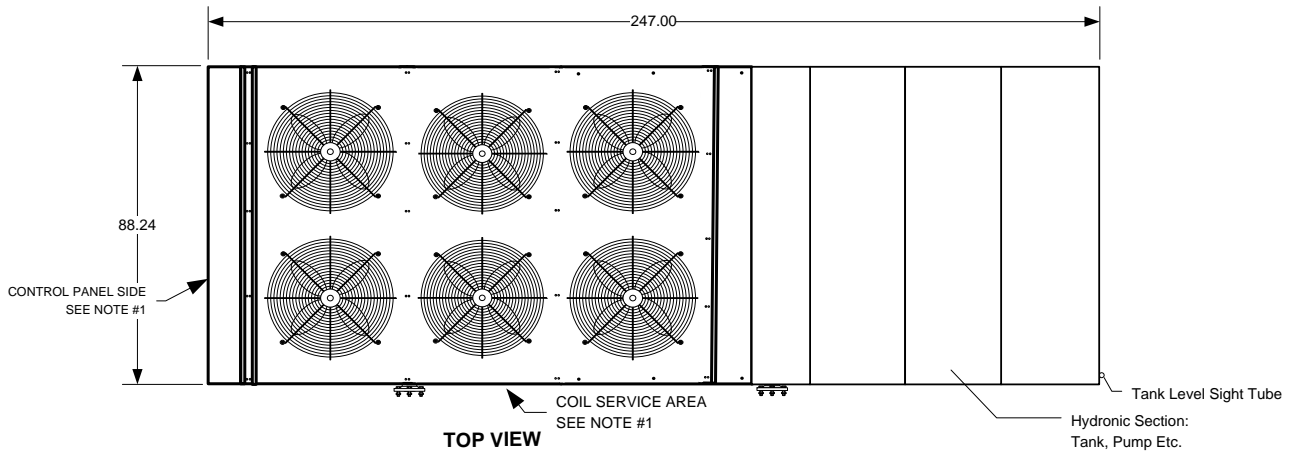
³ Ambient Temperature Conditions (see above)

⁴ Electrical Power Code (see above)

Marrone & Co., Inc.

2730 Maximilian Drive, Houston, Texas 77032 • Phone (800) 473-9178, (281) 227-8400

Fax (800) 473- 9175, (281) 227-8404 • www.waterchillers.com

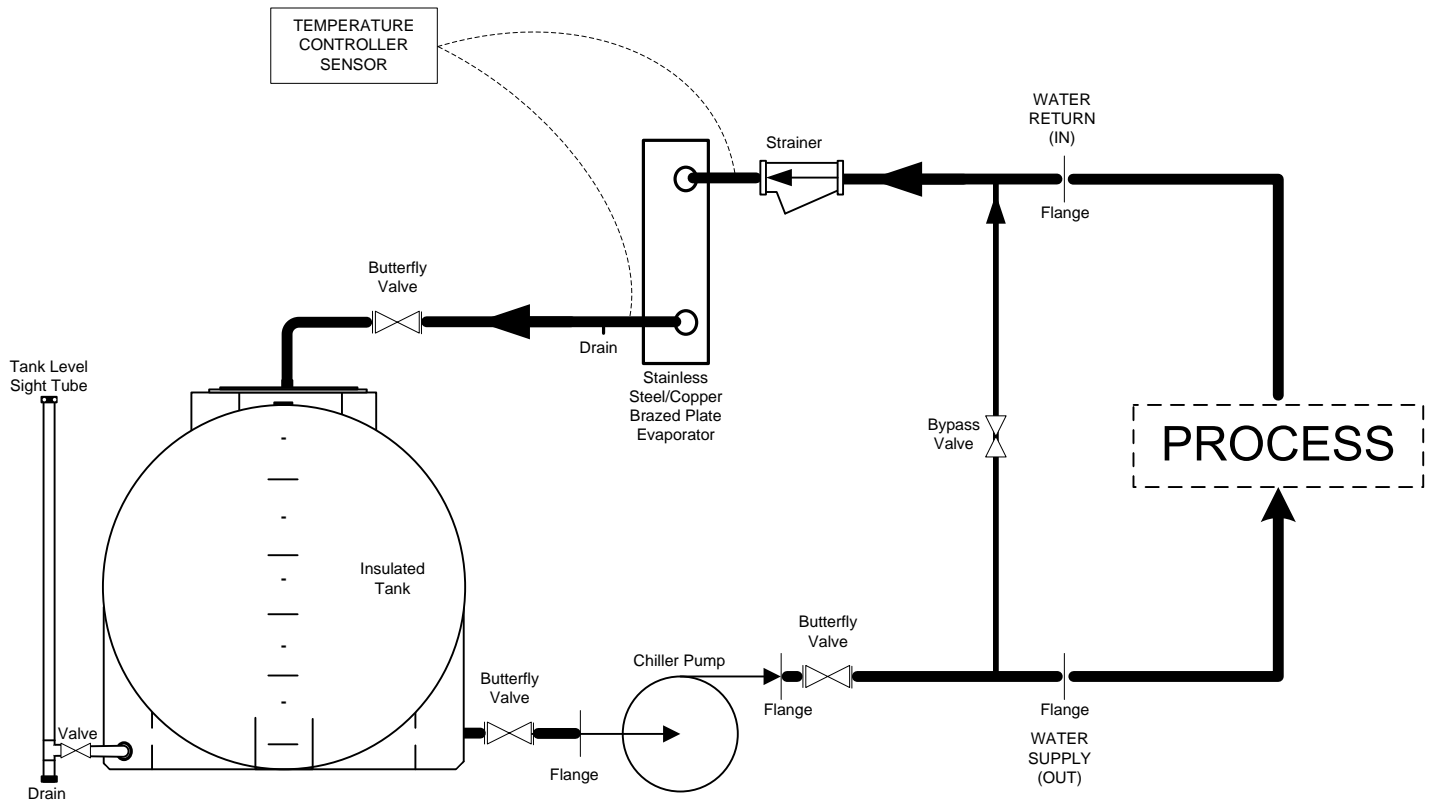


PAGE NOTES

1. Unit must have clearances for air flow/service access as follows: (air must be directed away from machine to prevent recirculating air back into machine coil sides.)
 Top — Do not restrict in any way.
 Sides and End — 6 ft from solid surface for airflow.
 Side — 8 ft required for coil service area.
2. Mounting holes (17/32" Diameter) may be used to mount unit to concrete pad. They are not recommended for mounting unit to spring isolators. If spring isolators are used, a perimeter support channel between the unit and the isolators is recommended.
3. Field Power Supply Connection: two 7/8 pilot holes provided. Actual hole required depend on field wire sizing.
4. Relief valves located on suction line, liquid line and filter drier of each circuit are equipped with a 1/4" flare field connection.
5. All chilled fluid piping should be insulated.
6. Dimensions are in inches +/- 1/4".
7. Design and layout may change depending on parts or manufacturing without notice. Notify Cold Shot Chillers for any details needed based on construction.
8. Contact Cold Shot Chillers for details or other information.

COLD SHOT CHILLERS

DRAWN		ENGINEERING	SIZE	DIMENSION NOTES	DWG NO	REV
ISSUED		10/26/2016	A	Dimensions are in inches unless otherwise specified.	INSTALLATION DRAWING ACWC-1080-G (Typical - Front-Top-Side)	1
SCALE			N.T.S.	DWG-INST_-1080-G---(1016_RAP) .vsd	SHEET	1



- NOTES
- Design and specifications subject to change without notice.
 - Layout is not for engineering purposes.
 - *Flow Switch typical on Low Ambient, Low Temperature Units.

COLD SHOT CHILLERS		SIZE	SCOPE	DWG NO	REV
		A	Flow Diagram_G2	CHILL WATER CIRCUIT – TYPICAL Large Chiller G - “Portable with Flow Switch”	1
DRAWN	ENGINEERING	SCALE	NA	DWG-CHW_535Gal_G (1016) .vsd	SHEET 2
ISSUED	10/20/2016				